

# OPERATION & MAINTANANCE MANUAL

## INTIG – 400 IW

### Inverter Based ARC/TIG Welding Machines



## **WARPP ENGINEERS PVT.LTD.**

Survey No. 36, House No. 15/3, Unique Industrial Estate  
Dhumal Nagar Vasai (East) Distt. Palghar (Maharashtra) INDIA – PIN -  
401208 Website : [www.warpp.co.in](http://www.warpp.co.in) Tel : 8551817744 / 8551819944  
8551817868 - 69 / 8551812002 Customer Care Tel : 8080808734



## PREFACE

Thanks for purchasing our product & looking forward to your precious advice for improvement of our product. We will dedicate to produce the best products and offer the best services.

The machine has been carefully inspected both mechanically and electrically before it left the factory. The machine should be initially inspected upon receipt, if any damage which may have occurred in transit inform “WARPP ENGINEERS PVT.LTD. OR It’s Dealer immediately. Check for the accessories supplied against those listed in packing slip.

**Caution** :Before attempting to connect the equipment to any Power source,read instructions carefully. In case any defect or deficiency, contact “WARPP ENGINEERS PVT.LTD.” or its authorized Agent. Make sure to quote model number and serial number of the equipment in all correspondence.

THE DESIGN OF THIS EQUIPMENT IS SUBJECT TO CONTINUOS DEVELOPMENT AND IMPROVEMENTS, CONSEQUENTLY “WARPP ENGINEERS PVT.LTD.” RESERVES THE RIGHT TO INCORPORATE MINOR CHANGES FROM THE INFORMATION CONTAINED IN THIS MANUAL.

\*\*\*\*\*

## INDEX

1. Safety Precautions
2. Product Description & Features
3. Working Condition & Environment Required
4. Technical Specification
5. Working Principle
6. Installation
7. Controls
8. Parameters & its operational meaning
9. How to operate the machine
10. Do's & Don'ts
11. Trouble Shooting
12. Wiring Diagram
13. Maintenance
14. Spare Part List

\*\*\*\*\*

## 1. Safety Precautions



### **General safety precaution :**

- Please strictly comply with rules defined in this manual to avoid unexpected accidents
- How to connect to power supply, select working area and use pressure gas, please comply with proper rules
- Not allow non-operator to enter working area
- Machine's installation, inspection, maintenance, and manipulation must be completed by authorized person.
- Don't use welding machine for unrelated purposes (Such as recharging, heating or plate cutting, etc.)
- Must take safe precaution in case machine falling when it is put on the uneven ground



### **Avoid being electric shocked and burnt :**

- Never touch on the hot electrical units.
- Please instruct the authorized electrician to ground the machine frame by using Proper-sized copper wire.
- Please instruct the authorized electrician to connect the welder to power supply by using proper- sized, well-insulated copper wire.
- When operating in the damp, space limited area, must ensure well-insulated between body and work piece
- When operating in the high-rising location, must ensure safety by using safe net.
- Please power off the input voltage while no longer using.



### **Avoid breathing in hazardous welding fume or gas :**

- Please use specified ventilation to prevent being gas poisoned and asphyxiated
- Especially in the container where oxygen is depleted easily



### **Avoid being harmed by arc flash, hot spatter and slag :**

- Arc rays can injure your eyes and make your eyes feel uncomfortable.
- Hot spatter and slag can burn your skin. Please wear proper welding helmet, leather gloves, long- sleeved suit, cap, apron and boot before welding.



### **Preventing from fire, explosion, container break accidents :**

- Don't put flammable material in the working area. Hot spatter and hot weld can easily start a fire.
- Cable must be connected the work piece firmly to ensure good conductivity in case causing fire by resistance heat.

- Don't weld in the flammable gas or weld container which contains flammable material, otherwise it can cause explode.
- Don't weld encapsulated container, otherwise it can cause break.
- Ensuring a fire extinguisher at hand in case fire break out.

 **Avoid being hurt by moving parts :**

- Never let the finger, hair, and cloth near the rotary cooling fan and wire feeder rollers.
- When feeding wire, don't let the bottom of gun near your eyes, face and body, to prevent being harmed by wire.

 **Avoid gas bottle falling or gas regulator breaking :**

- Gas bottle must be firmly fixed on the ground, else if injure will exerts on.
- Never place bottle under high temperature or straight sun light.
- Never let your face near gas outlet while turning on the gas valve to prevent from being hurt by pressure gas.
- Customer should use the gas regulator provided by our company, and comply with the proper instruction.

 **Avoid being hurt by welding machine while in transport :**

- When moving the welding machine by fork-lift truck or crane, nobody can be allowed for standing downright the route of the moving welder, in case being hurt by the falling welding machine.
- The ropes or wires which used for hanging up the welding machine must be strong enough to withstand corresponding tension strength. The rope or wire inclination hanging on the tackle must be no more than 30°

\*\*\*\*\*

## 2. Product Description & Features

This Series Inverter Arc welding machines include 2 welding combinations: SMAW & TIG with different specifications of rated current: 400A & 630A. which are novelty high-efficient and energy-saving DC Arc welders, not only are used in carbon steel and low alloy steel welding, but also used in stainless steel, high alloy steel, copper, silver, molybdenum and titanium welding. As to its sound static and dynamic characteristic and HF arc starting function, the series welders have the following features:

- Invert technology can assured welding current high stability and arc length consistency in fluctuating input primary power. Welding arc enjoys high self-adjustability and mild strength.
- Low spatter
- Easy to start arc
- High deposit efficiency
- the machine can adjust its down- slope time while stopping arc. Weld formation are pretty good.
- With remote control function, welding parameters can be adjusted in extended distance.
- Light, small and portable.
- High power factor, high efficient and energy saving

\*\*\*\*\*

**3. Working Condition & Environment Required**

- 1) Please note that this equipment to be installed in a clean place free from dirt & moisture
- 2) Avoid direct exposure to sunlight
- 3) Care should be taken to see that it is not exposed to rain
- 4) Whenever the machine to be used at a site make sure proper shade is provided for the machine
- 5) Do not keep the machine near oven, furnace where temperature may be higher and it can affect the performance of the machine
- 6) Always keep the machines at lease with a gap of 300 mm around the machine as it is required for free circulation of air
- 7) Keep the machine in a flat position and if it is placed in an inclined position then the degree of inclination shall not be more than 15 degree
- 8) These machine can operate in the temperature range of 0 ~ 50 degree centigrade. When used over 40 degree centigrade the duty cycle of the machine may be lower than what is mentioned in the catalogue
- 9) Always connect the machine to the electric supply through a preferably D type MCB of suitable capacity
- 10) Use cables with proper cross section based on the input power requirement of the machine( Please refer to technical specification page for input power of the machine)
- 11) When long cables are used you need to select higher cross sectional area of conductors to avoid voltage drop during the usage.

**Selection guide for type of MCB**

<b>MCB Type</b>	<b>Tripping Current</b>	<b>Application</b>
B Type	3 to 5 times the rated current	Purely resistive load like lighting and general purpose outlets
C Type	5 to 10 times the rated current	Moderate inductive load like air conditioners, residential / commercial pumps
D Type	10 to 20 times the rated current	Heavy inductive loads like heavy induction motor and welding machines

## Selection of cable size for input supply

Please note that the cable size required for input supply depends on following:

- 1) Whether the machine is single phase or three phase
- 2) Input KVA of the machine
- 3) Distance from electrical supply point

First calculate the current the machine will draw based on the input KVA given (refer to technical specification page for this)

If the machine is a single phase machine then each KVA would require around 4.6 Amps of current. That means if input KVA of the machine is 5 KVA, then it would draw 23 Amps at full load

If the machine is a three phase machine then each KVA would require around 1.4 Amps of current. That means if the input KVA of the machine is 5 KVA, then it would draw around 7 amps of current at full load

Cable capacity for copper cable can be taken as 5 Amps / Sq mm when cable length is less than 10 meters. That means 1 sq mm cable can carry a current of 6 Amps of current

Now you have input current of the machine based on its input KVA

You can calculate the conductor size by this formula

Input current / capacity of conductor

Example :

From the above for a single phase machine of 5 KVA you would need  $23/6 = 3.8$  Sq mm cable. ( You can choose 4sq mm cable)

From the above for a three phase machine of 5 KVA you would need  $7/6=1.16$  Sq mm cable. ( You can choose 1.5 sq mm copper cable for each phase)

Note:

When the length of the cable is short the required cross section for input cable will come down





Below table will help you in selecting the right size of welding cable based on the length and current to be used

Welding Cable selection chart					
Welding Current in Amps	Recommended Cable size ( Sq mm) based on length (in Mtrs)				
	1 ~ 15 Mtrs	15 ~ 30 Mtrs	30 ~ 45 Mtrs	45 ~ 60 Mtrs	60 ~ 75 Mtrs
100	16	25	25	35	50
150	16	25	35	50	50
200	35	35	50	50	70
300	50	50	70	70	95
400	70	70	70	95	120
600	95	95	95		
800	140	140			
1000	140	190			
1200	190	240			
1500	240	285			

Note:  
 Table given is just for reference and the actual result may vary depending on the quality of conductor  
 Multiple cables can be used where ever single cable of that capacity is not available

\*\*\*\*\*

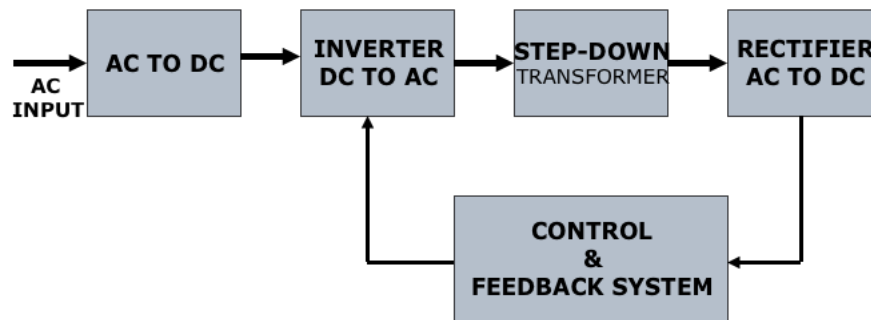
**4. Technical Specification**

Description	Parameters	
	INTIG 400 IW	
Primary power voltage/frequency	3 phase 400V ±10% / 50Hz	
Rated Input Power	18.4 KVA	
Rated input current	24A	
Rated duty cycle	100%	
Range of output current	20 - 400A	
Open Circuit Voltage (OCV)	75 – 85 VDC	
Full-load efficiency	89%	
Power factor ( at full-load )	0.95	
Welding electrode diameter	2 ~ 5mm	2 ~ 6mm
Weight	81Kg	
Dimension (LXWXH) With Trolley	870×550×1100 mm	
Class of Insulation	Class - H	

\*\*\*\*\*

## 5. Working Principle

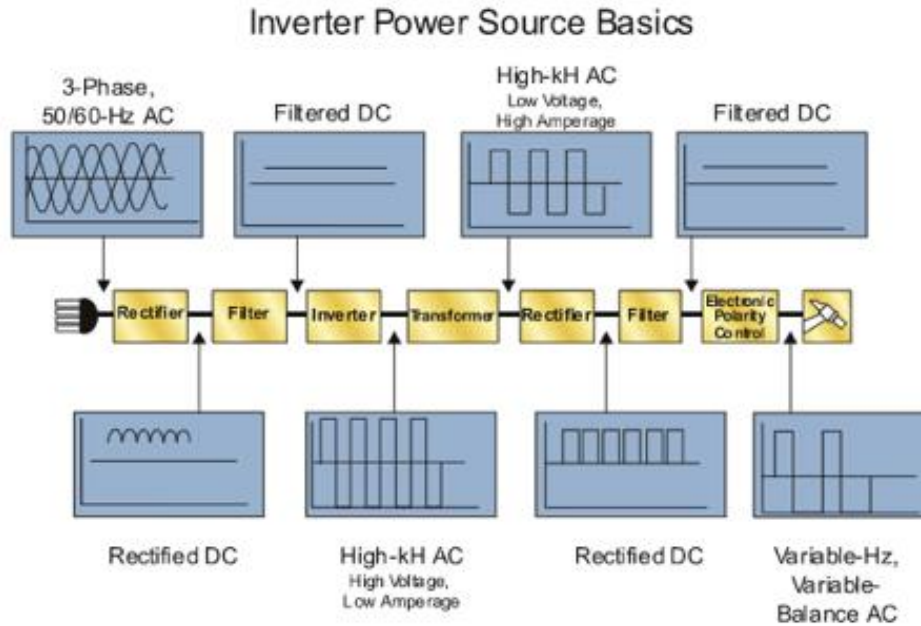
### Block Diagram



These power sources are used for various types of welding and they are based on IGBT inverter Technology. In these types of machines input supply is first converted in to DC by a rectifier circuit. The rectified voltage is then filtered and fed to an inverter section. This section will convert the DC to high frequency AC. In this case it is 20 K Hz AC. This AC voltage is fed to a specially designed high frequency transformer which steps down the voltage to acceptable welding voltage and increases the current to required level. The output of the transformer is fed to a high frequency rectifier circuit which converts this AC to DC for various welding applications.

In the case of machines having capability to deliver both and AC & DC outputs for welding, this DC is fed to one more inverter circuit OR electronic polarity control circuit which converts this in to low frequency AC output for Aluminum TIG application. In this case controls are provided for adjusting the AC frequency, AC balance along with other regular controls.

Block diagram with waveforms at different stages is given below for reference :



Different types of power sources are available for welding and most commonly used are as under

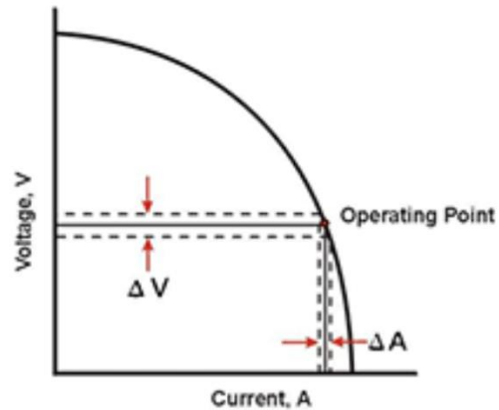
- Constant current (CC) power source
- Constant Voltage (CV) power source
- CC/CV power source

Please refer to the below chart for process-wise recommended power source types

Process	Power source type
SMAW	CC
GTAW	CC
GMAW /FCAW	CV
SAW	CV is commonly used and sometimes CC is used
Plasma Cutting	CC

### Constant Current (CC) type power source

Constant current characteristics is also called as drooping characteristics. Typical V/I curve of such power source is shown below. Here the current remains stable even if the arc length varies. When there is change in arc length, change in the voltage is more when compared to change in current and hence they are called constant current type power source



Relationship between the voltage and current for different process in CC type power source is as under

SMAW:

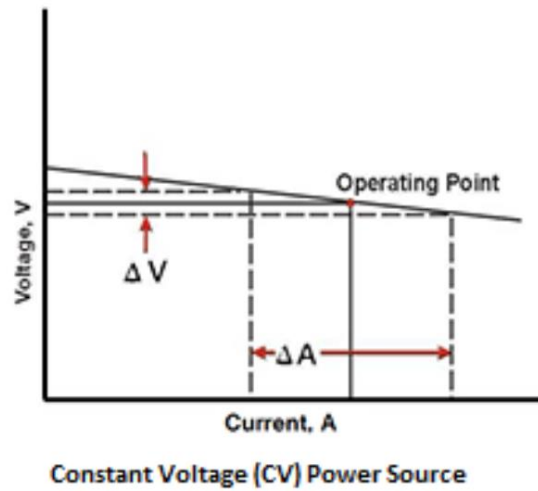
$$V = I * 0.4 + 20$$

GTAW:

$$V = I * 0.4 + 10$$

### **Constant Voltage (CV) type power source**

Constant voltage characteristics are also called as Flat characteristics. Typical V/I curve of such power source is shown below. Here the voltage remains stable even if the arc length varies. When there is change in arc length, change in the current is more when compared to change in voltage and hence they are called constant voltage type power source



Relationship between the voltage and current for different process in CV type power source is as under

GMAW:

$$V = I * 0.5 + 14$$

FCAW:

$$V = I * 0.5 + 18$$

**Note:** Some power source have both CC and CV characteristics. The explanation given above is general and the capability of the machines depends on the model number of the machine purchased by you.

## 6. Installation

### **Installation :**

1. Place the welding machine in the room where there is no straight sunlight, no rain, less dust, low humidity, and temperature range of 0° - 50°C.
2. The gradient of ground must not be more than 15°
3. Ensure no wind at the welding position, or use screen to block the wind.
4. The distance between welder and wall must be more than 300 mm.
5. Connect the 3 phase Input supply to the machine. Supply voltage must be in the range of 400 V  $\pm$  10% as mentioned in the Technical specification of this manual.
6. Power supply :
  - The size of fuse and breaker in the table are for reference :

Product type		INTIG 400 IW	
Power supply		3 phase AC 400 V	
Min. power capacity		18.4KVA	35KVA
Input protection	Fuse	30A	63A
	breaker	32A	63A
Min. Cable size	Input side	4mm <sup>2</sup>	6mm <sup>2</sup>
	Output side	50mm <sup>2</sup>	70mm <sup>2</sup>
	Earth lead	4mm <sup>2</sup>	6mm <sup>2</sup>

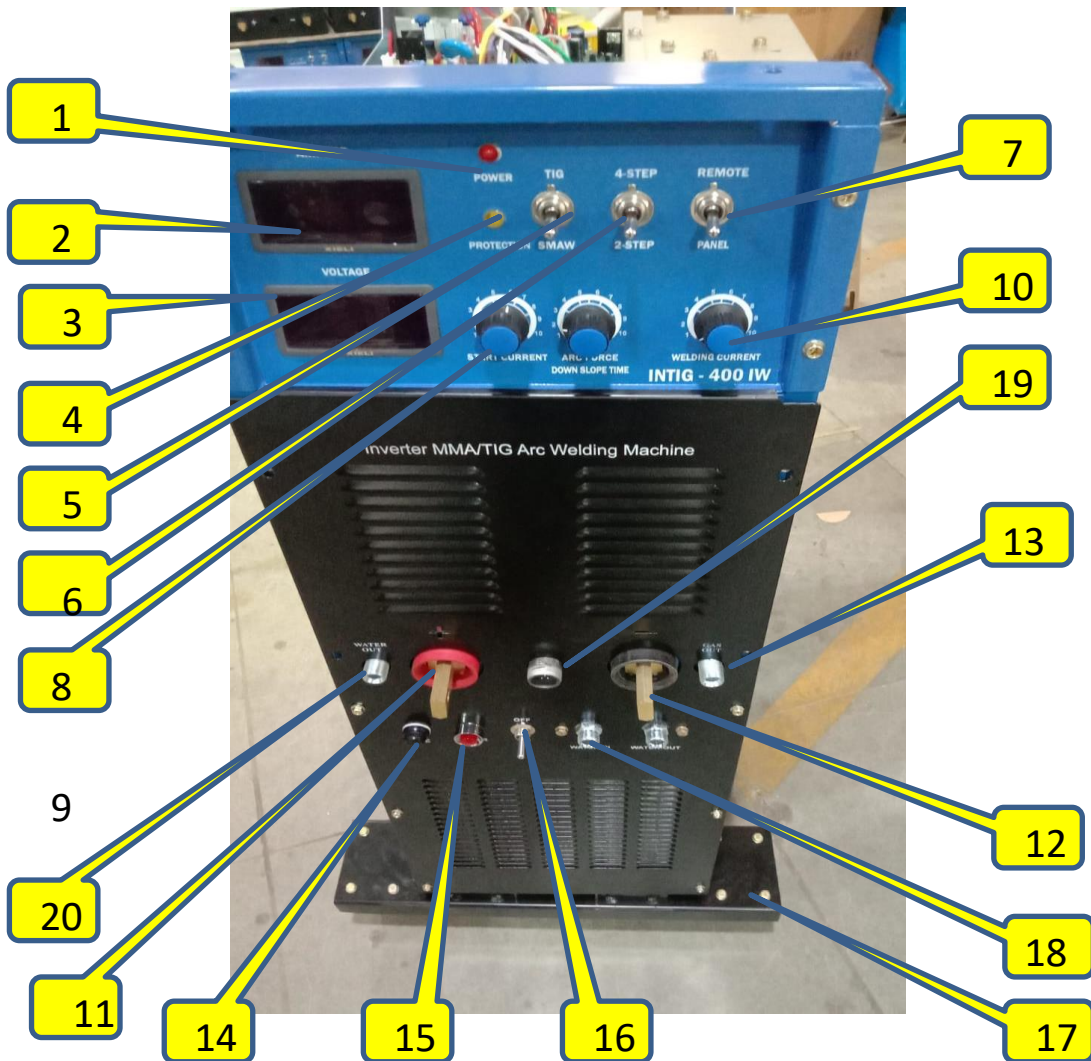
7. Connect the electrode holder to the +Ve terminal & earthing cable to the +Ve terminal of the machine
8. Ensure firmly connection to gas hose and gas cylinder and or water hose and water supply as to using water-cooled welding torch
9. Connect the water in of torch to the water in of the front panel of the machine & torch return pipe to the water out on the front panel
10. Adjust every knobs, and switches on the front panel to proper position in line with selected mode.
11. Connect remote controller (If needed).

**Attention:** Before you plug the welding cable, please turn off the power and rightly calibrate the plug key to the socket slot at first, then insert and turn the plug clockwise until it firmly seated. Make sure the plug and the socket are well-connected to be sound conductivity in case that they are burnt out by over resistance heat.

\*\*\*\*\*

## 7. Controls

**Front panel Details :**



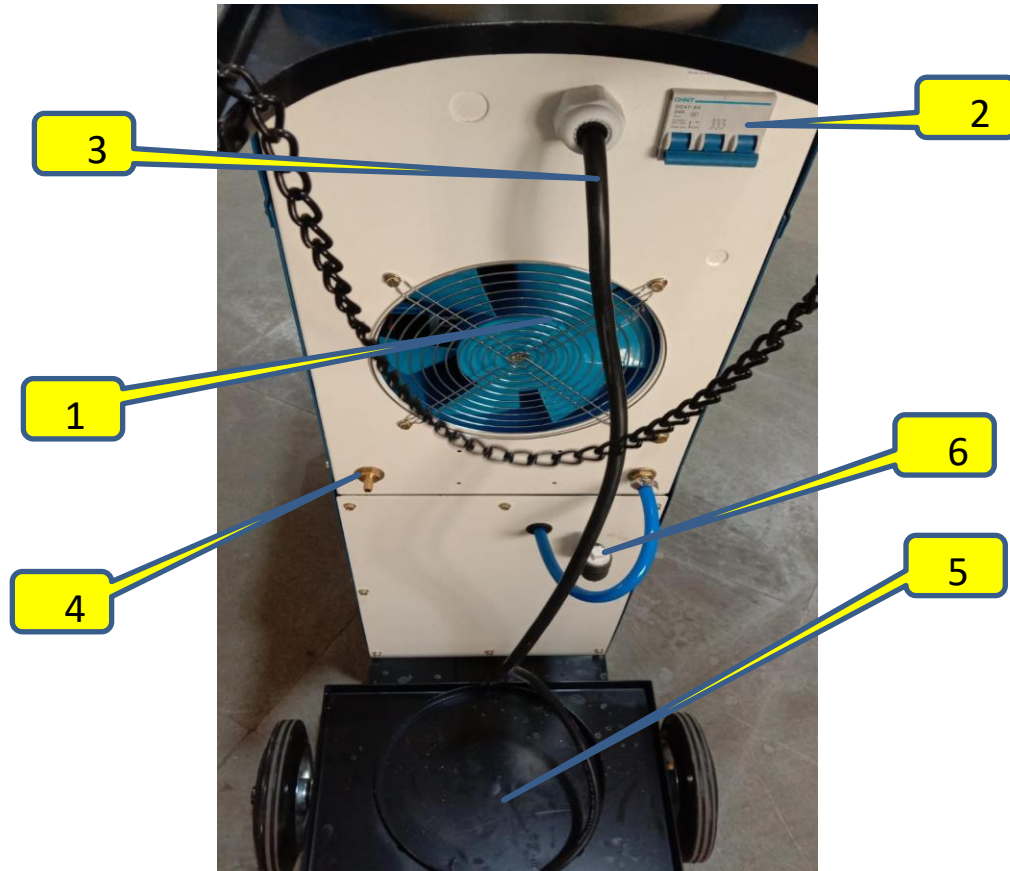
1. Power LED : This indicator will on as soon as MCB of the machine is switched on
2. Ameter (Display) : It displays the output current during welding
3. Voltmeter (Display) : It displays the output voltage or arc voltage during welding or OCV if not welding
4. Protection LED : This LED will on if there is problem in the machine



5. SMAW/TIG Switch : This is selector switch to select the MMAW or TIG welding.
6. 2 Step/4Step : It is the selector switch to select the 2 step or 4 step mode during TIG welding only. 2step means to start welding torch should be pressed continuously during welding and release to stop welding, While in 4 step mode torch switch should be press & release to start welding & again press& release to stop welding.
7. Panel/Remote Switch : This is also selector switch to set the output current of the machine. If it is kept on panel current can be adjusted from panel & if it is kept on remote then current can be adjusted through remote pendant away from the machine.
8. Start Current : This pot is provided to adjust the start current. It will increase the initial high current with respect to set welding current.
9. Arc Force : This pot is provided to adjust the arc force during welding & down slope time during TIG welding.
10. Welding Current Pot : This pot is meant for output current adjustment from panel
11. + Terminal : This terminal is provided to connect the earthing cable connected to be job.
12. - Ve Terminal : This terminal is provided to connect the holder cable
13. Gas Connector : This connector is for gas out for TIG operation.
14. Fuse : This is control fuse for water cooling unit
15. Water Cooling indicator
16. Pump ON/OFF : This is toggle switch for pump on/off
17. Trolley : This is trolley to move the machine
18. Water In : This connector is for water return of torch
19. 7 Pin Connector : This is socket for remote control.
20. Water Out : This connector is pump output, which will go to torch in

\*\*\*\*\*

**Rear Panel**



1. Cooling Fan : It is provided to cool the machine while welding
2. MCB : This is provided to switch on or switch off the machine
3. Input Cable : This is provided to give the input supply to the machine
4. Gas Inlet : This is connector for gas input supply
5. Place for gas cylinder
6. Water Filling Tube

\*\*\*\*\*

## 8. Parameters & its Operational meaning

Shielded Manual Metal Arc Welding (SMAW) & TIG Welding can be done by this Power Source. Welding parameters can be adjusted with the help of various pots available on the front panel.

- a) WELDING CURRENT : Welding current of the welding process can adjusted with Welding current pot as per below chart :

**Table 1 SMAW welding parameters**

Work piece thickness ( mm )	< 1	2	3	4 ~ 5	6 ~ 12	≥13
Electrode diameter ( mm )	1.5	2	3.2	3.2 ~ 4	4 ~ 5	5 ~ 6
Welding current ( A )	30 ~ 50	40 ~ 60	90 ~ 110	90 ~ 130	160 ~ 250	250 ~ 400

- a) ARC FORCE : Arc force is the extra voltage required during welding when welders hand is becoming up & down . It is in the percentage graduation according to arc voltage. It can be adjusted with the help of ARC FORCE POT provided on the front panel of the machine. In TIG process this pot can be used for down slope time.
- b) START CURRENT : Start current is extra initial current to smooth start of welding. It is in the percentage as per welding current.

## **9. How to operate the machine**

1. Switch on the main switch for input supply provided for the machine
2. Switch on the MCB of the machine provided on the rear side of the machine
3. Set the output current as per required welding rod from panel or through remote
4. Start welding on the plate or job. Adjust the welding current as per requirement.
5. Switch on the water cooling unit
6. Switch off the machine when welding is over
7. Switch off the main switch.

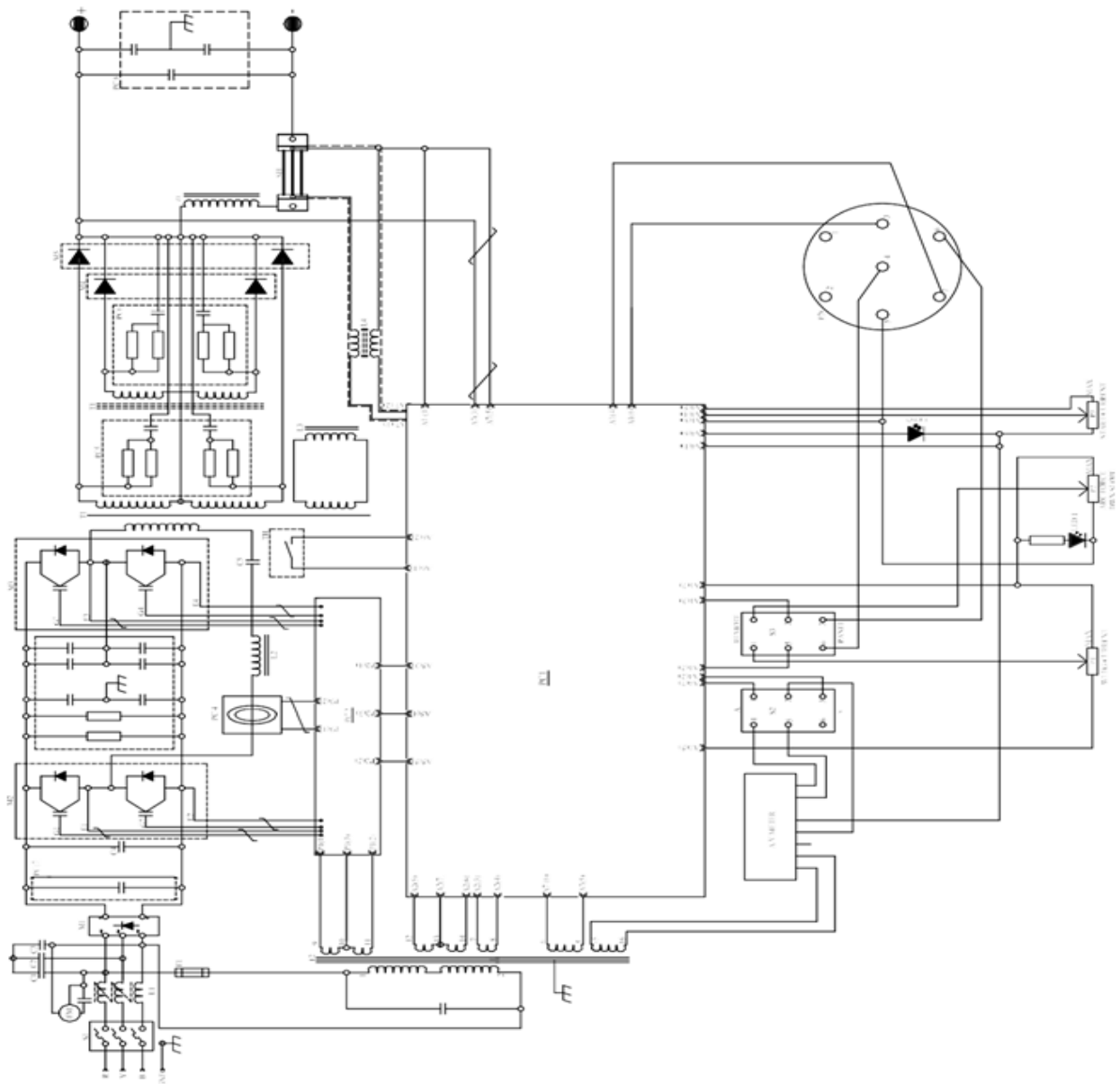
## 10. Do's & Don'ts

Do's	Don'ts
Clean the machine with compressed air @ < 3 Kg/Cm <sup>2</sup>	Don't keep any foreign material or plate on the top cover of the machine
Use proper polarity & current	Never use the higher current than recommended
Use proper welding cable size	Never use long cable if not required
Use proper welding angle	Never use long arc
Make firm connection of welding cable	Never use the joint of cable unless proper technique is used to join the cable
Keep the machine in proper shade to protect it from rain & direct sun light	Don't keep the machine in open ground or site

## 11. Trouble Shooting

S.NO.	Trouble	Probable Cause	Remedy
1	MCB is on but welding is not starting	1) Check for 3 phase supply 2) MCB faulty 3) Control PCB faulty 4) Drive PCB faulty	1) Check and ensure 2) Check & replace 3) Check & replace 4) Check & replace
2	MCB provided on the rear panel is tripping when it is being switched on	1) MCB faulty 2) Three phase bridge faulty 3) IGBT may faulty	1) Check and replace 2) Check & replace 3) Check & replace
3	Fluctuation in welding current	1) One Phase missing 2) Panel/Remote switch faulty 3) Main PCB faulty 4) Drive PCB faulty 5) POT of welding current faulty	1) Check and ensure 2) Check & replace 3) Check & replace 4) Check & replace 5) Check & replace
4	Welding current is not adjustable.	1) POT of welding current faulty 2) Main PCB faulty 3) Panel/Remote switch faulty	1) Check and replace 2) Check & replace 3) Check & replace

**12. Wiring Diagram**



## 13. Maintenance

In principle, Machine's maintenance and repair should be completed by us or our authorized distributors. Customers can also solve the problems instructed by us or our authorized distributors.

### **1. Periodic inspection and maintenance :**

- (1) Remove dust from power resource with compressed air by our authorized maintainer every 3- 4 months. Check if the bolt is loose.
- (2) Check frequently if control cables are worn out, adjusting knobs are loose, and components of panel are damaged.
- (3) Check output cable periodically, if jointers are loose or plugs are distorted, and then please repair it in time, otherwise the sockets will burn out.

### **Warning :**

**Don't open up side panel of the machine uninstructed, the max voltage inside the machine is 600VDC, which is very dangerous. Take safe precautions to prevent from being electric shock while maintenance.**

\*\*\*\*\*

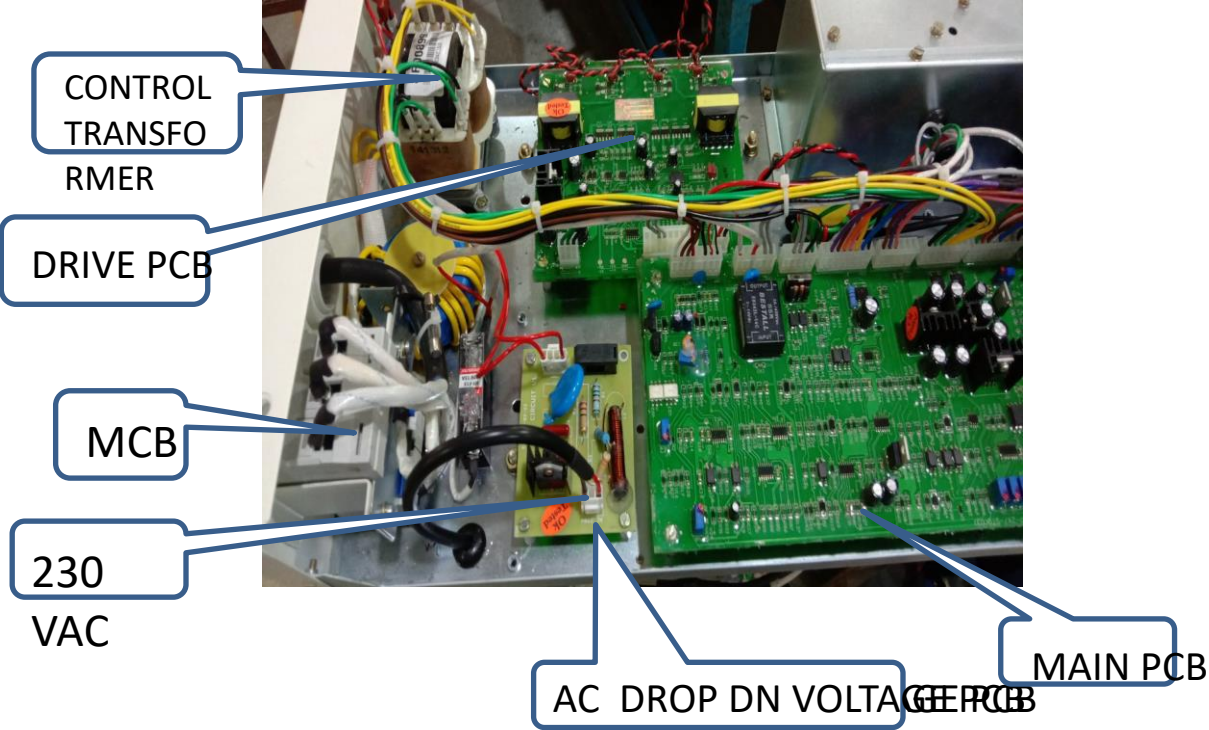


### 14. Spare Part List

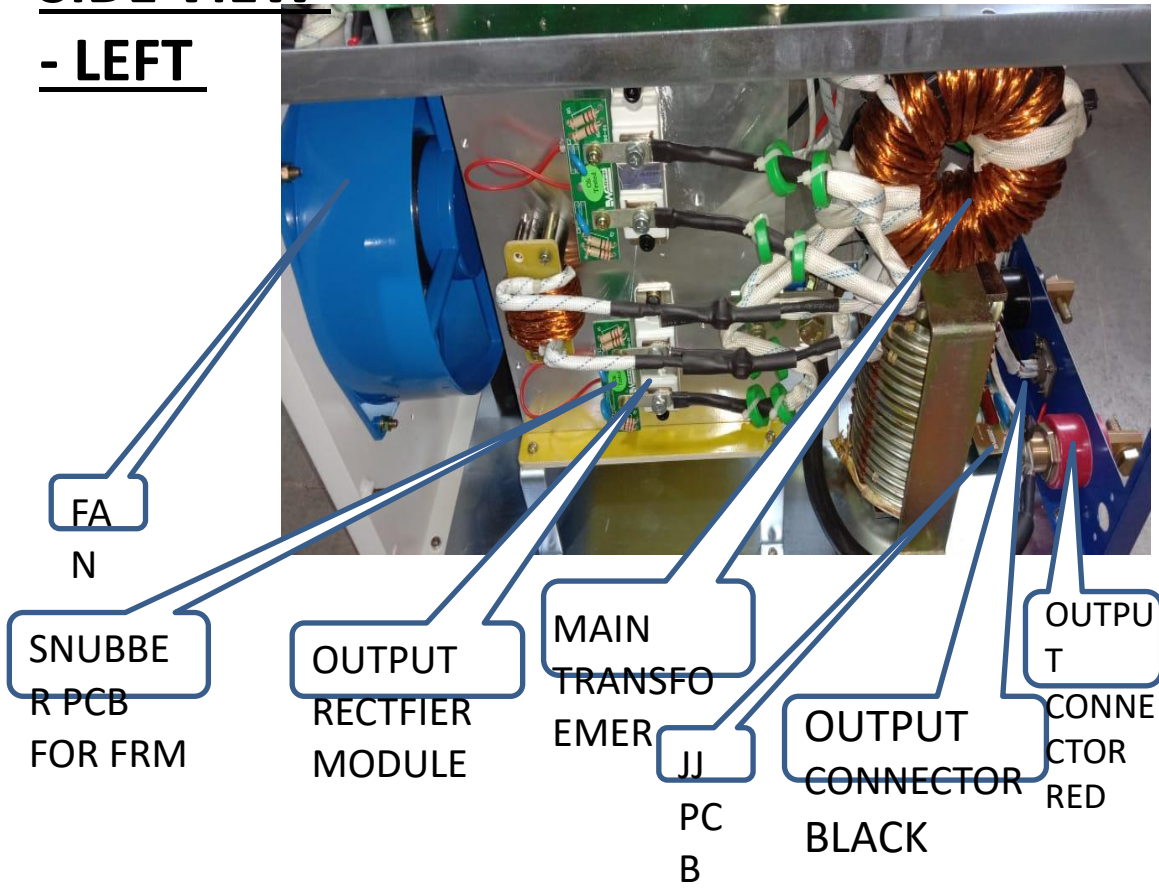
Description	Part Code
<b>Model</b>	<b>INTIG 400 IW</b>
AC CAPACITOR	SP00173
CONTROL TRANSFORMER	SP00899
DIGITAL DISPLAY METER	SP01103
DRIVE CARD	SP01229
DC CAPACITOR	SP01065
FAN	SP01321
FAN CAPACITOR	CAP05
LT/HT	SP01692
HF PCB	SP02738
IGBT	SP01871
INPUT SURGE SUPPRESSOR	SP01916
INPUT BRIDGE MODULE	SP01901
ISOLATION TRANSFORMER	SP04135
JJ PCB	SA00029
KNOB FOR THE POT	SP01979
MAIN TRANSFORMER	SA00038
MCB	SP02488
MOV	SP00079
MAIN PCB	SP02385
OUTPUT RECTIFIER MODULE	SP02703
OUT PUT CONNECTOR RED	SA00039
OUT PUT CONNECT BLACK	SA00040
OVERCURRENT PROTECTION PCB	SA00023
POTENTIOMETER FOR CURRENT/STRIKING CURRENT/ARC FORCE	SP02827
SNUBBER CARD	SA00025
SNUBBER CAPACITOR	SP03566
SOLENOID VALVE	SP04831
SNUBBER PCB FOR OUTPUT FRM	SA00042
TWO POLE SWITCH FOR PANEL/REMOTE & V/A	SP03825
7 PIN CONNECTOR MALE	SP00149
WATER PUMP	SP04002
WATER COOLING FAN	SP01332

**MACHINE' SPARE PART IN DETAILS :**

TOP VIEW



**SIDE VIEW**  
**- LEFT**



**SIDE VIEW -**  
**RIGHT**

