

AXXAIR

ORBITAL BEVELLING



MADE IN FRANCE

GLOBAL PROCESS

www.axxair.com

Ø15 to Ø121 mm

AXXAIR



Technical characteristics:

- Basic jaws Ø 24 to Ø 121 mm
- Additional jaws Ø 15 to Ø 108 mm
- Supplied with plastic protection and profile guide
- **Technology:** screw carbide inserts: 10 x faster than HSS tools. Superior service life
- **Patented System**
- **Scalability:** may be transformed into a cutting and orbital welding machine
- **Weight:** 37 kg (easy handling)

ADVANTAGES



V bevel with profile guide roller



J bevel with profile guide roller



Outer profile guide system: to account for tube "out of round"



Rotation handle as standard: extends tool service life

Accessories	Motors	References	Consumables
CCPS21: support feet	GA103015-2: 220 V	GA121-2	PC30-08-B02: carbide inserts
CCBSB-01: bench with height adjustment - 1.5 m	GA103015-1: 110 V	GA121-1	TV-300: 30° spinner TV-375: 37.5° spinner TV-450: 45° spinner
CCBSB-02: additional 1.5 m bench			TJ-100: 10° spinner
SAEA: electric rotation			
CCSER1/CCSER2: simple/bearing stand			

ORBITAL BEVELLING RANGE GA171

Ø 33 to Ø 170 mm

AXXAIR



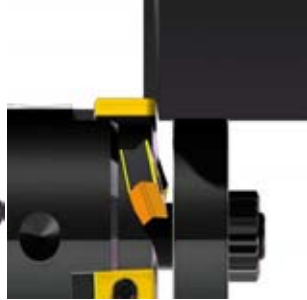
Technical characteristics:

- Basic jaws Ø 70 to Ø 170 mm
- Additional jaws Ø 33 to Ø 118 mm
- Supplied with plastic protection and profile guide
- **Technology:** screw carbide inserts: 10 x faster than HSS tools. Superior service life
- **Patented System**
- **Scalability:** may be transformed into a cutting and orbital welding machine
- **Weight:** 44 kg (easy handling)

ADVANTAGES



V bevel with profile guide roller



J bevel with profile guide roller



Outer profile guide system: to account for tube "out of round"



Rotation handle as standard: extends blade life and optimizes cutting quality

Accessories	Motors	References	Consumables
CCPS21: support feet	GA103015-2: 220 V	GA171-2	PC30-08-B02: carbide inserts
CCBSB-01: bench with height adjustment - 1.5 m	GA103015-1: 110 V	GA171-1	TV-300: 30° spinner TV-375: 37.5° spinner TV-450: 45° spinner
CCBSB-02: additional 1.5 m bench			TJ-100: 10° spinner with 6 rollers
SAEA: electric rotation			
CCSER1/CCSER2: simple/bearing stand			

MADE IN FRANCE

GLOBAL PROCESS

www.axxair.com

ORBITAL BEVELLING RANGE GA221

Ø 59 to Ø 225 mm

AXXAIR



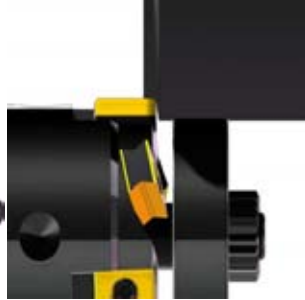
Technical characteristics:

- Basic jaws Ø 116 to Ø 225 mm
- Additional jaws Ø 59 to Ø 169 mm
- Supplied with plastic protection and profile guide
- **Technology:** screw carbide inserts: 10 x faster than HSS tools. Superior service life
- **Patented System**
- **Scalability:** may be transformed into a cutting and orbital welding machine
- **Weight:** 51 kg (easy handling)

ADVANTAGES



V bevel with profile guide roller



J bevel with profile guide roller



Outer profile guide system: to account for tube "out of round"



Rotation handle as standard: extends blade life and optimizes cutting quality

Accessories	Motors	References	Consumables
CCPS21: support feet	GA103015-2: 220 V	GA221-2	PC30-08-B02: carbide inserts
CCBSB-01: bench with height adjustment - 1.5 m	GA103015-1: 110 V	GA221-1	TV-300: 30° spinner TV-375: 37.5° spinner TV-450: 45° spinner
CCBSB-02: additional 1.5 m bench			TJ-100: 10° spinner with 6 rollers
SAEA: electric rotation			
CCSER1/CCSER2: simple/bearing stand			

MADE IN FRANCE

GLOBAL PROCESS

www.axxair.com

ORBITAL BEVELLING RANGE GA321

Ø 153 to Ø 330 mm

AXXAIR



Technical characteristics:

- Basic jaws Ø 216 to Ø 330 mm
- Additional jaws Ø 153 to Ø 256 mm
- **Technology:** screw carbide inserts: 10x faster than HSS tools. Superior service life
- **Patented System**
- **Scalability:** may be transformed into a cutting and orbital welding machine
- **Weight:** 73 kg (easy handling)

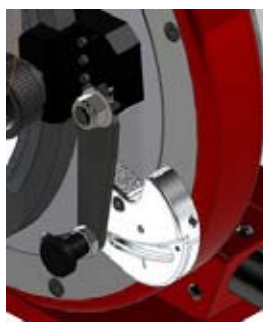
ADVANTAGES



V bevel with profile guide roller



J bevel with profile guide roller



Outer profile guide system: to account for tube "out of round"



Rotation handle as standard: extends blade life and optimizes cutting quality

Accessories	Motors	References	Consumables
CCPS21: support feet	GA103015-2: 220 V	GA321-2	PC30-08-B02: carbide inserts
CCBSB-01: bench with height adjustment - 1.5 m	GA103015-1: 110 V	GA321-1	TV-300: 30° spinner TV-375: 37.5° spinner TV-450: 45° spinner
CCBSB-02: additional 1.5 m bench			TJ-100: 10° spinner with 6 rollers
SAEA: electric rotation			
CCSER1/CCSER2: simple/bearing stand			

MADE IN FRANCE

GLOBAL PROCESS

www.axxair.com

ORBITAL BEVELLING RANGE ACCESSORIES

AXXAIR



CCBS-01



CCBS-02



CCPS21



CCSER1



CCSER2



FSXX



CCDT

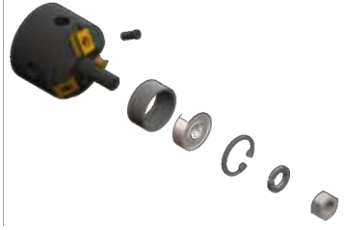


SAEA

Accessories	Motors	Options
CCPS21: support feet	FS29: cutting motor 220 V, Thicknesses SS < 5 mm	SAEA: electric rotation
CCBS-01: bench with height adjustment - 1.5 m	FS19: cutting motor 110 V, Thicknesses SS < 5 mm	
CCBS-02: additional 1.5 m bench	FS25: cutting motor 220 V, Thicknesses SS > 5 mm	
CCDT: extended penetration lever	FS15: cutting motor 110 V, Thicknesses SS > 5 mm	
CCSER1 and CCSER2: stands with and without bearings	MOPD: Pneumatic cutting motor	

ORBITAL BEVELLING RANGE CONSUMABLES

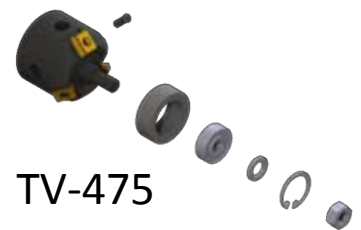
AXXAIR



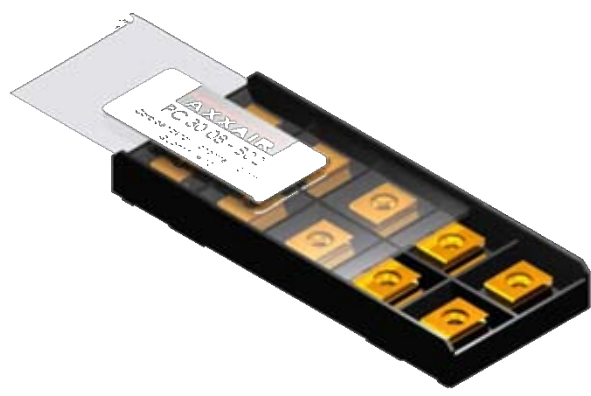
TV-300



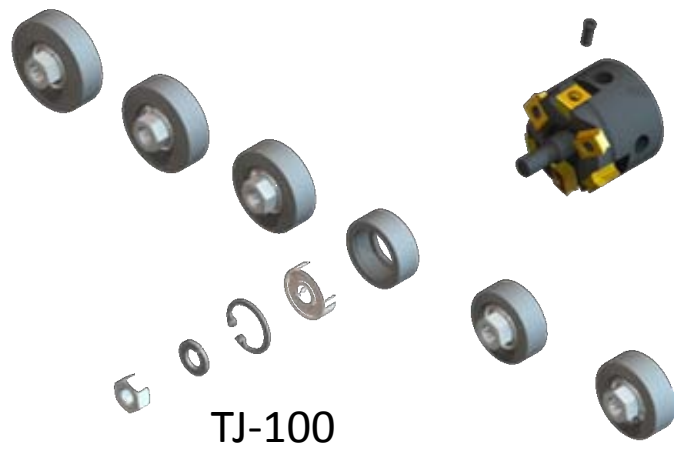
TV-375



TV-475



PC30-08-B02



TJ-100



KS30

Accessories	Consumables
TV300: 30° spinner with guide roller	PC30-08-B02: carbide inserts
TV375: 37.5° spinner with guide roller	KS30: insert tightening tool
TV375: 47.5° spinner with guide roller	
TJ100: 10° J spinner with guide roller	

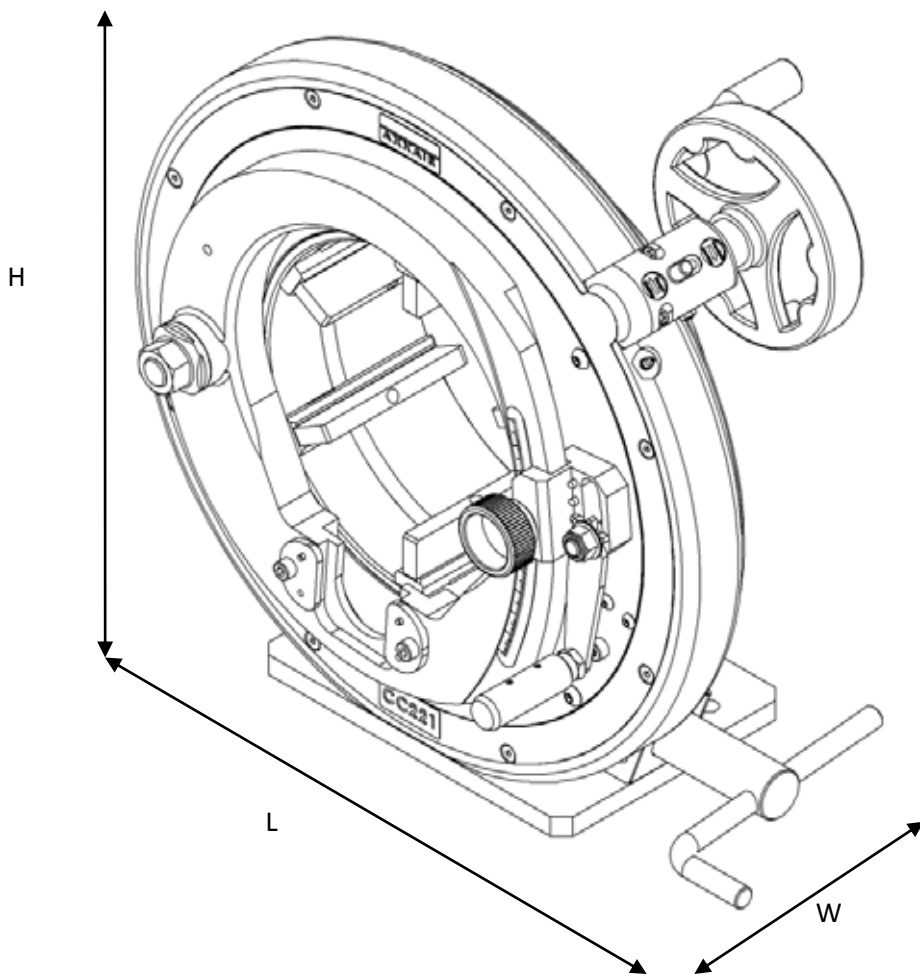
MADE IN FRANCE


GLOBAL PROCESS

www.axxair.com

ORBITAL BEVELLING RANGE GA DIMENSIONS

AXXAIR



	∅ min	∅ max	H x L x l Mm	
GA121	15 mm	121 mm	432x520x297	37 kg
GA171	33 mm	170 mm	474x545x297	44 kg
GA221	59 mm	225 mm	515x570x320	51 kg
GA321	153 mm	330 mm	674x636x320	73 kg